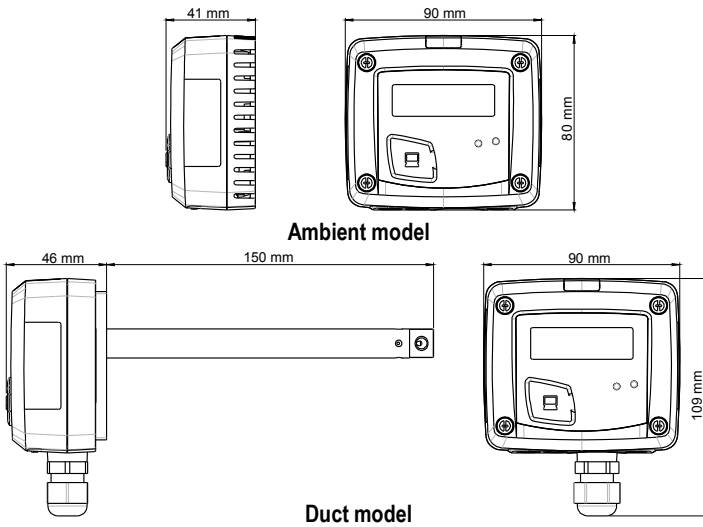


CO₂
CO 112



- 0 ~ 5000ppm
- 0~10V active , 24 Vac/Vdc (3-4 wires)
- ABS V0 , IP65(), 가
- "¼ turn" system mounting with wall-mount plate
-



: ABS V0

- duct model : IP65
- ambient model : IP20

: LCD 10 digits. Size : 50 x 17 mm

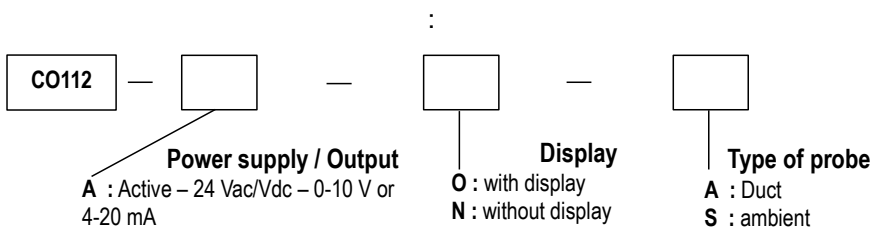
Height of digits : Value : 10 mm ; Unit : 5 mm

() : for cables Ø 8 mm maximum

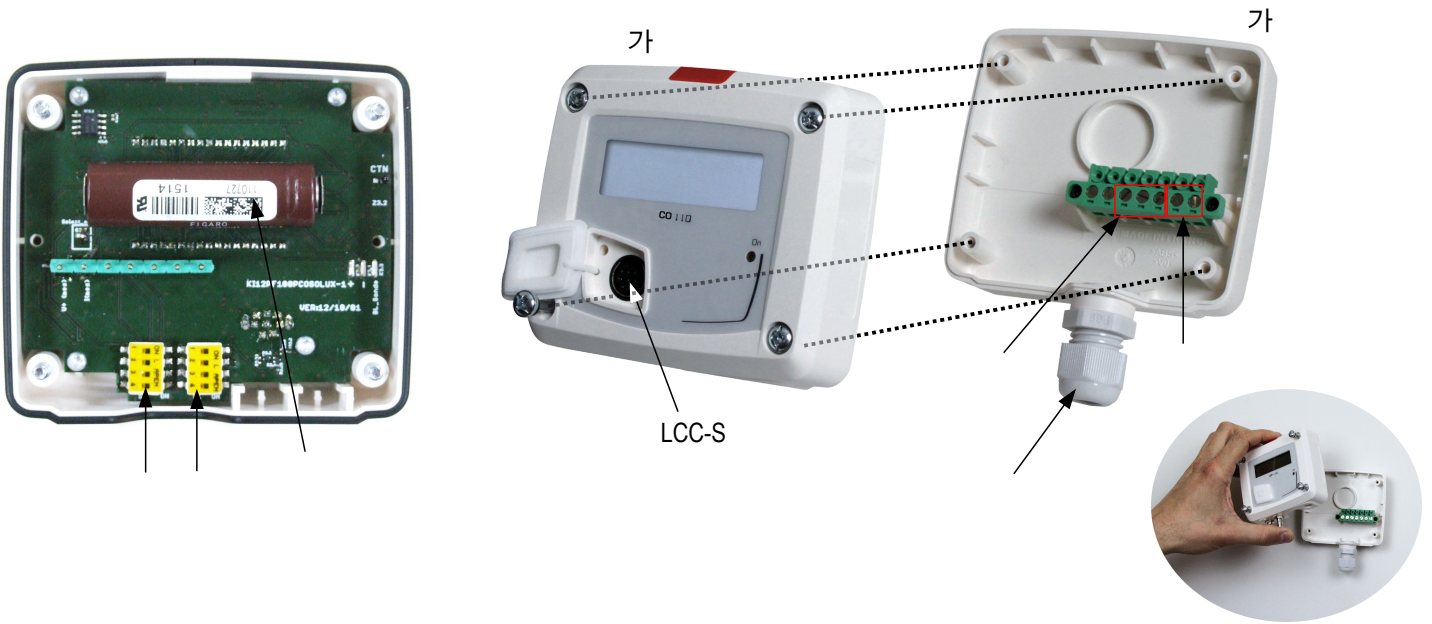
: 138 g (ambient model) ; 150 g (duct model)

	ppm
	From 0 to 5000 ppm
	±3 of reading ±50 ppm
	Infrared sensor
	T63 = 30 s
	1 ppm
	Air and neutral gas
	From 0 to +50 °C
	From -10 to +70 °C

*All the accuracies indicated in this technical datasheet were stated in laboratory conditions, and can be guaranteed for measurements carried out in the same conditions, or carried out with calibration compensation.



/	<ul style="list-style-type: none"> - active 0-10 V or 4-20 mA (power supply 24 Vac/Vdc \pm 10%), 3-4 wires - maximum load : 500 Ohms (4-20 mA) - minimum load : 1 K Ohms (0-10 V) <p>2 VA (0-10 V) or max. 22 mA (4-20 mA)</p>
	EN61326
	Screw terminal block for cables \varnothing 0.05 to 2.5 mm ²
PC	Kimo USB-mini Din cable
	Air and neutral gas

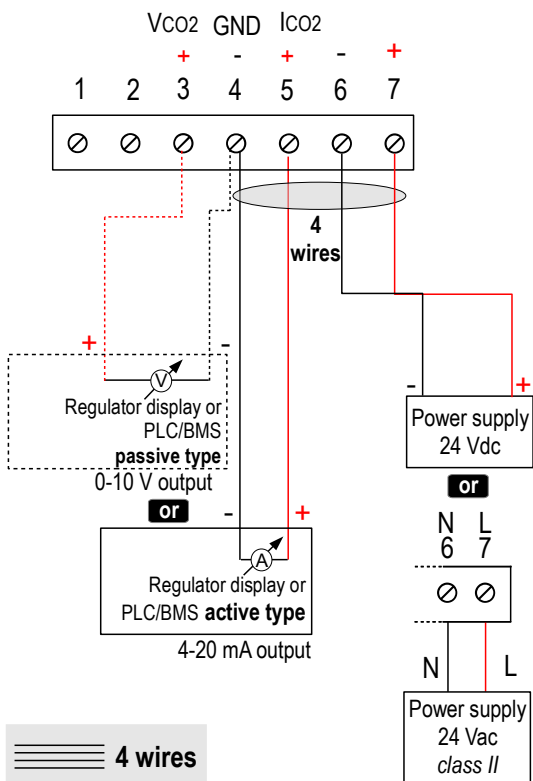


- NFC15- 100 standard

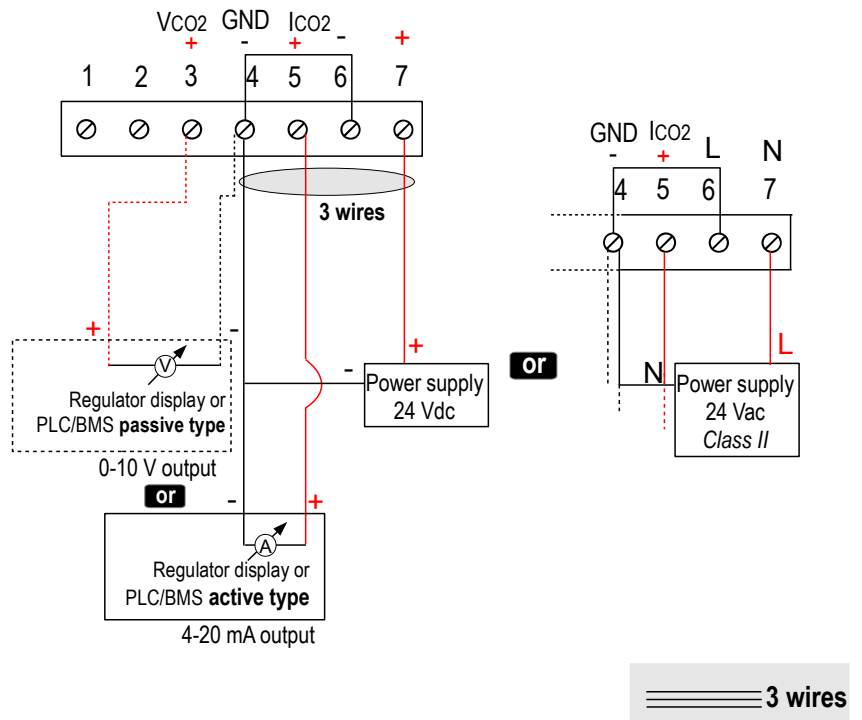


This connection must be made by a qualified technician. **To make the connection, the transmitter must not be energized.**

Active, 4 wires :



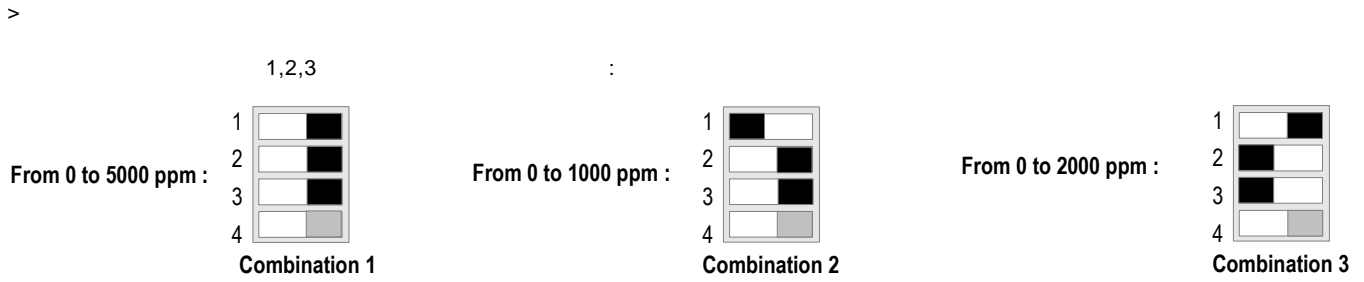
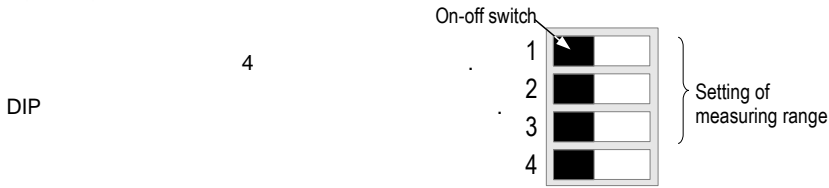
To make a 3-wire connection, before powering up the transmitter, please connect the output ground to the input ground. See drawing below.



> Configuration



To configure the transmitter, it must not be energized. Then you can make the required settings thanks to the DIP switches as shown on the drawing below. When the transmitter is configured, you can power it up.



LCC ()

PC DIP PC

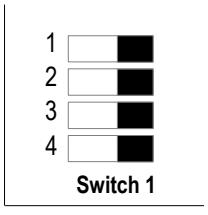
Example : for a 0-500 ppm transmitter, the minimum delta is 20 ppm. So the transmitter could be configure from 0 to 70 ppm from 0 to 20 ppm.

- DIP
- LCC-S

• LCC-S()

* : 가

DIP



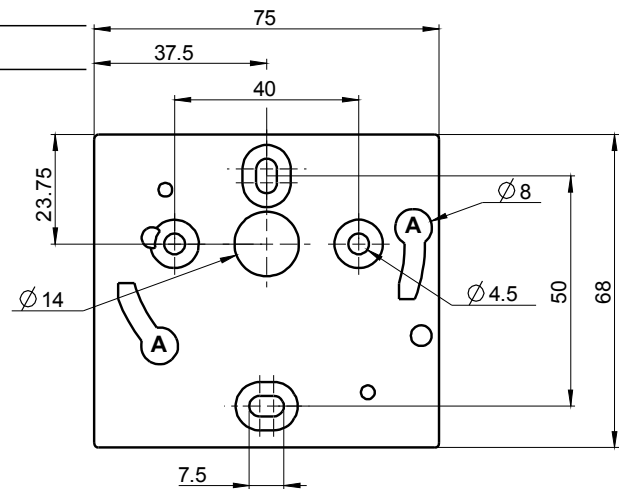
ABS

"A"

30

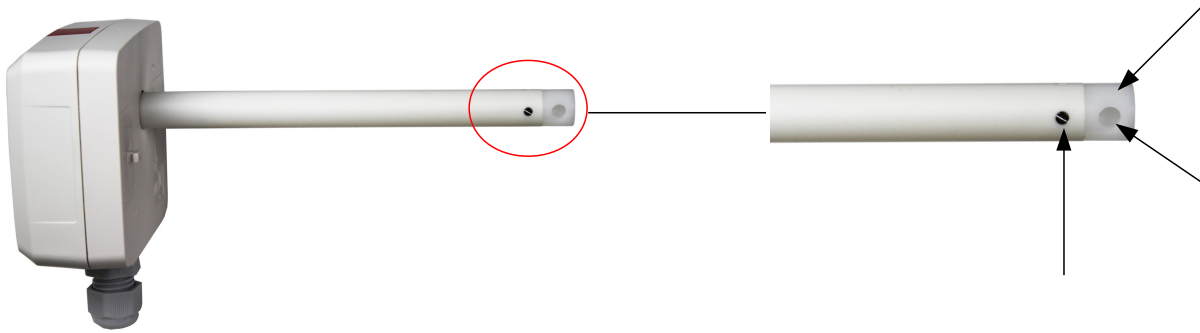
가

가



Y
Y
Y

가



- **KIAL-100A** : Power supply class 2 , 230 Vac input, 24 Vac output
- **LCC-S** : configuration software with USB cable

www.kimocorea.com

Distributed by :



EXPROT DEPARTMENT

Tel : 02-338-0023 Fax : 02-338-0083

e-mail : kimo@kimocorea.com